

SolarInnovate Energy Solutions

St John s photovoltaic supporting energy storage enterprise



Overview

What is Saint John energy's smart energy project?

Saint John Energy's Smart Energy Project utilizes artificial intelligence to help optimize a more resilient, reliable and cleaner power system. "We're always looking for partners to help us challenge the status quo and deploy new smart grid innovation right here in Saint John," says Ryan Mitchell, VP of Saint John Energy.

What is Saint John energy doing?

"What Saint John Energy is doing is disrupting these old thinking ways, if you will, and moving us into the modern age," Comeau said. An electron is an electron whether it comes from a wind farm or a coal plant, but utilities with renewable energy sources can sell renewable energy certificates to keep track of that power.

Who is Sjef solar?

SJEF Solar is a leading integrated photovoltaic enterprise covering R&D, production, sales, and service. SJEF Solar uses advanced automated production equipment and is led by senior R&D experts, featuring an internationally leading R&D lab, dedicated to build a large-scale digital and intelligent R&D manufacturing base.

Who is Tu Energy Storage Technology (Shanghai)?

Safe operation and system performance optimization. TU Energy Storage Technology (Shanghai) Co., Ltd., founded in 2017, is a high-tech enterprise specializing in the research and development, production and sales of energy storage battery management systems (BMS) and photovoltaic inverters.

What's new at Sjef solar?

SJEF Solar unveiled six mainstream N-type TOPCon solar cells, drawing considerable interest with lower degradation, superior temperature

coefficients, excellent bifacial rate, and lower LID loss. President Xi Jinping's New Year's message: Photovoltaic products add new bright colors to China's manufacturing!

St John s photovoltaic supporting energy storage enterprise

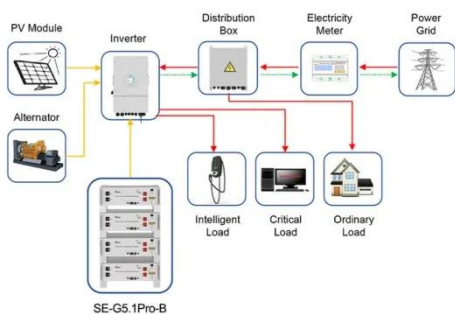


A coordinated planning strategy of energy storage allocation ...

Jan 10, 2025 · Random integration of massive distributed photovoltaic (PV) generation poses serious challenges to distribution networks. Voltage violations, line overloads, increased ...

Research on Energy Management Strategy of Integrated Photovoltaic ...

Oct 27, 2024 · The integrated photovoltaic and energy storage power station is a new type of charging device that can efficiently exploit renewable energy sources and reap significant ...



Application scenarios of energy storage battery products

A review of energy storage technologies for large scale photovoltaic

Sep 15, 2020 · Then, it reviews the grid services large scale photovoltaic power plants must or can provide together with the energy storage requirements. With this information, together with ...

Research on the policy route of China's distributed photovoltaic ...

Nov 1, 2020 · This paper summarizes the status quo of China's distributed photovoltaic power development, given its long-term plan, presents excellences and shortcomings of the existing ...



Research on Resource Optimization of Distributed Photovoltaic Energy

Jun 30, 2024 · This article conducts a thorough examination of the resource optimization challenge faced by energy storage and power generation systems in photovoltaic power ...

photovoltaic-storage system configuration and operation ...

Jan 9, 2025 · This paper investigates the construction and operation of a residential photovoltaic energy storage system in the context of the current step-peak-valley tariff system. Firstly, an ...



How Social Enterprises Are Powering Change With Photovoltaic Energy Storage

The Social Enterprise Edge in Renewable Energy Unlike traditional companies, social enterprises treat energy access like Netflix treats binge-watching - it should be available to everyone, ...



Triple-layer optimization of distributed photovoltaic energy storage

Jun 15, 2024 · Distributed photovoltaic energy storage systems (DPVES) offer a proactive means of harnessing green energy to drive the decarbonization efforts of China's manufacturing ...



Optimal configuration of photovoltaic energy storage capacity for ...

Nov 1, 2021 · The configuration of user-side energy storage can effectively alleviate the timing mismatch between distributed photovoltaic output and load power demand, and use the ...



Optimal configuration and economic benefit analysis of photovoltaic

Feb 24, 2025 · The new energy system constructed by energy storage and photovoltaic power generation systems can effectively solve the problem of transformer overload operation in ...



Saint John Energy and Sunverge collaborate on Smart Energy Project

Nov 2, 2021 · The Sunverge DER platform and intelligent energy storage systems will be used by Saint John Energy to explore opportunities to co-optimize consumer and grid services, ...

Sail to Global, the Journey of China's Photovoltaic Energy Storage

Jun 27, 2025 · In the context of global energy transition, the photovoltaic energy storage industry, as a key area to achieve efficient use of clean energy, is ushering in unprecedented ...



AlphaESS Drives Smart Energy Transition, Unfolding the Future of Energy



Jun 18, 2024 · With full power range of energy storage solutions, AlphaESS has highlighted its innovations in higher efficiency and smarter applications, thanks to its 12-year-expertise in ...

Contact Us

For catalog requests, pricing, or partnerships, please visit:
<https://www.institut3i.fr>